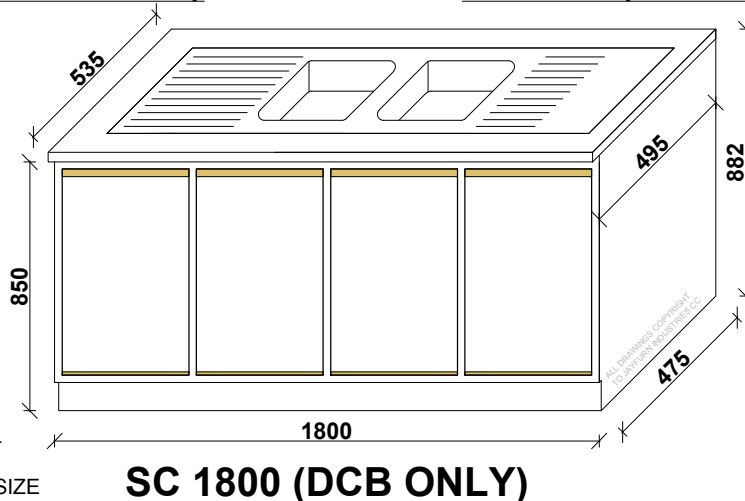
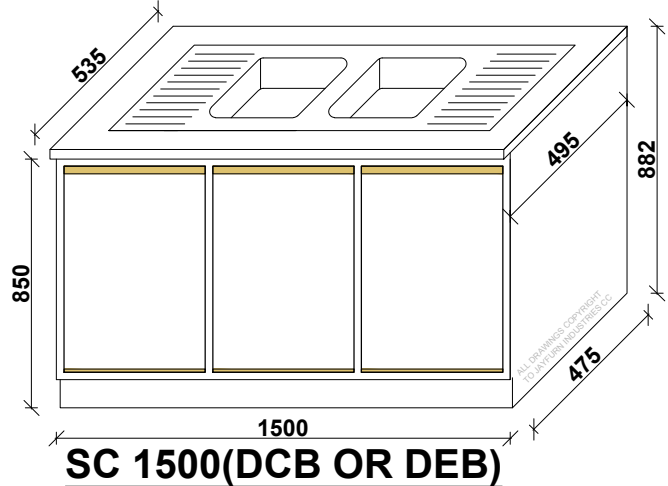
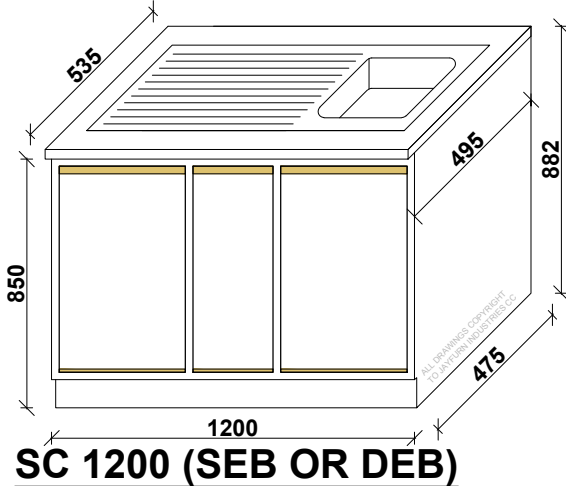
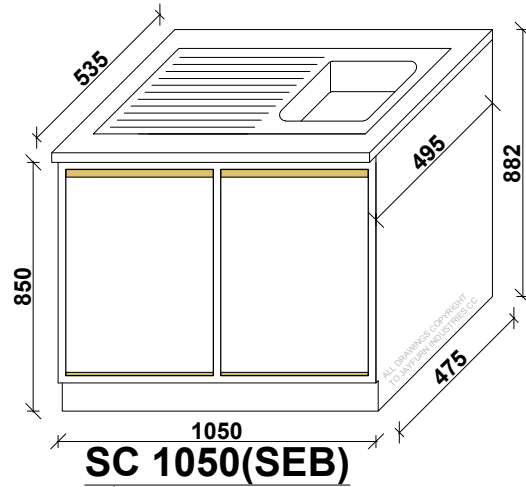
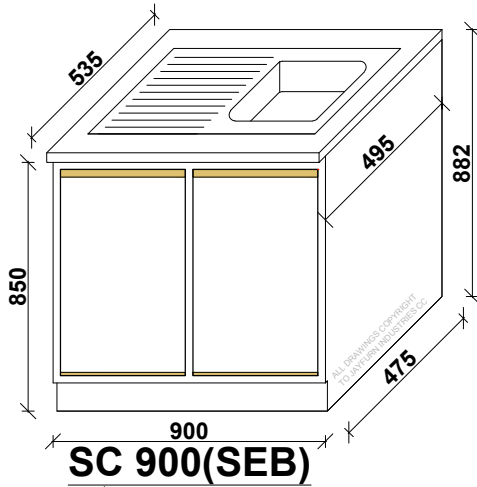


JAYFURN INDUSTRIES CC

SINK UNITS

(AVAILABLE WITH OR WITHOUT DRAWERS *)



SEB - SINGLE END BOWL
 DEB - DOUBLE END BOWL
 DCB - DOUBLE CENTRE BOWL
 * - DRAWER INCLUSION
 * DEPENDENT ON BOWL SIZE

SC 1800 (DCB ONLY)

- ALL OUR CABINETS ARE STANDARD WITH GRAB HANDLES FOR EASE OF USE AND FITTED WITH HEAVY DUTY STRONG AND STURDY HINGES.
- SINK UNITS AVAILABLE IN EITHER LEFT OR RIGHT HAND BOWL, WIDTH OF THE SINK TOP CAN VARY DEPENDING ON YOUR REQUIREMENTS.
- THESE ARE ILLUSTRATIONS ONLY, PLEASE REFER TO PHOTO GALLERY FOR ACTUAL VIEW OF UNITS.
- 535mm DIMENSIONS REPRESENTS DEPTH OF UNIT INCLUDING SINK TOP.
- 882mm DIMENSIONS REPRESENTS HEIGHT OF UNIT INCLUDING SINK TOP.
- 850mm DIMENSIONS REPRESENTS HEIGHT OF UNIT WITHOUT TOP.
- IN ADDITION TO THE ABOVE, WE MANUFACTURE CUSTOM MADE UNITS TO CLIENTS SPECIFICATIONS.
- ALL DRAWINGS COPYRIGHT TO JAYFURN INDUSTRIES CC