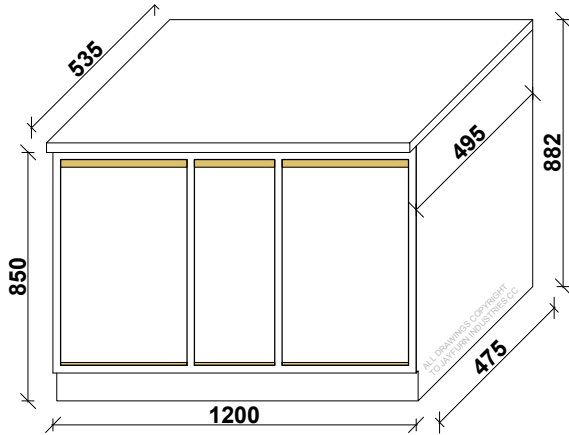


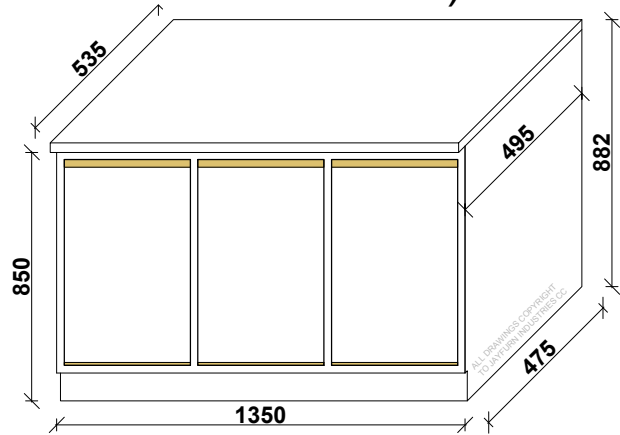
JAYFURN INDUSTRIES CC

BASE UNITS

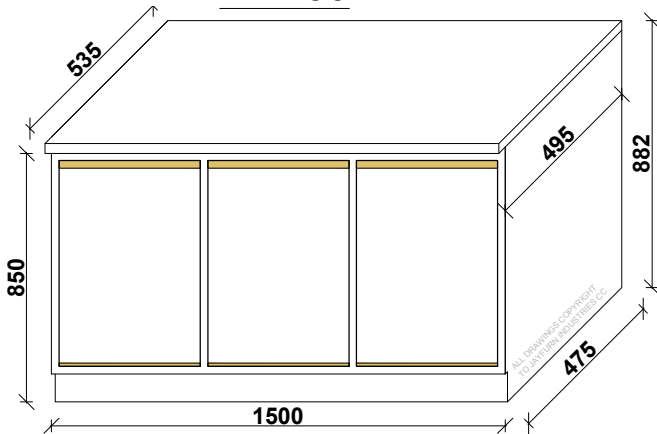
(FLOOR UNITS AVAILABLE WITH OR WITHOUT DRAWERS AND WITH OR WITHOUT POST FORMED TOPS)



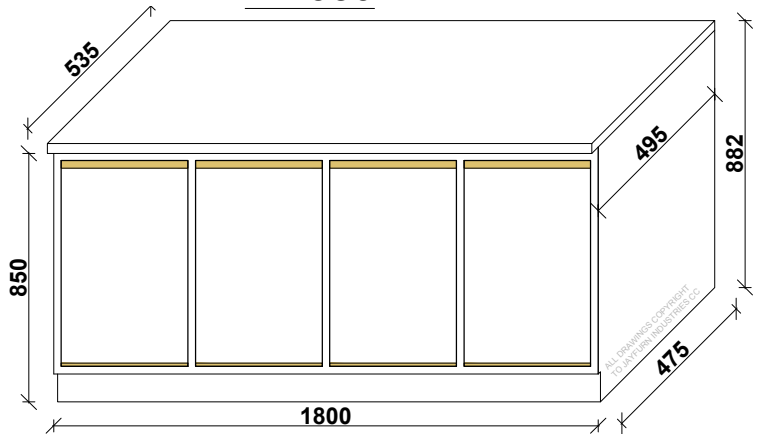
C 1200



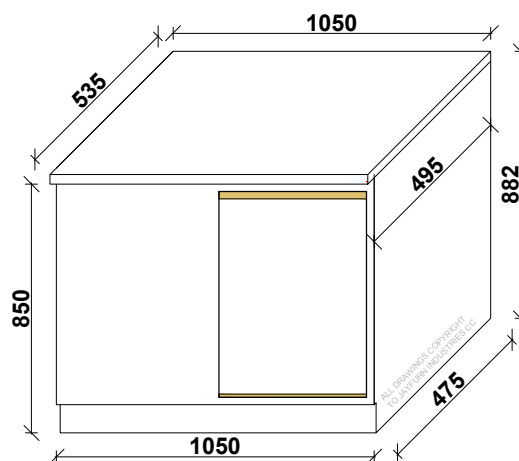
C 1350



C 1500



C 1800



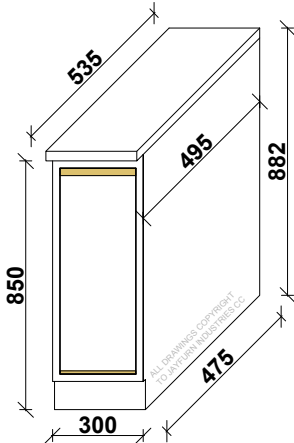
C 1050RI
(REACH IN
AVAILABLE IN
LEFT OR RIGHT)

- ALL OUR CABINETS ARE STANDARD WITH GRAB HANDLES FOR EASE OF USE AND FITTED WITH HEAVY DUTY STRONG AND STURDY HINGES
- THESE ARE ILLUSTRATIONS ONLY, PLEASE REFER TO PHOTO GALLERY FOR ACTUAL VIEW OF UNITS
- 535mm DIMENSIONS REPRESENTS DEPTH OF UNIT INCLUDING TOP OR SINK
- 882mm DIMENSIONS REPRESENTS HEIGHT OF UNIT INCLUDING TOP OR SINK
- 850mm DIMENSIONS REPRESENTS HEIGHT OF UNIT WITHOUT TOP.
- IN ADDITION TO THE ABOVE, WE MANUFACTURE CUSTOM MADE UNITS TO CLIENTS SPECIFICATIONS.
- ALL DRAWINGS COPYRIGHT TO JAYFURN INDUSTRIES CC

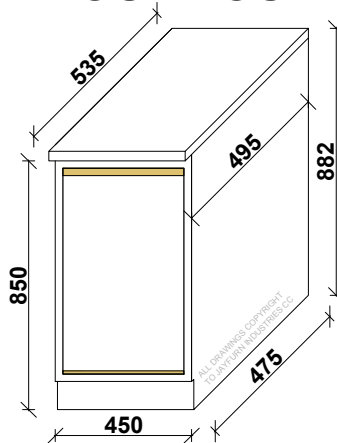
JAYFURN INDUSTRIES CC

BASE UNITS

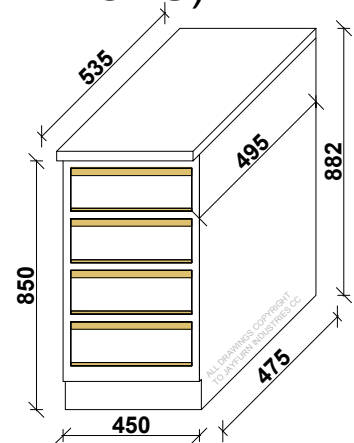
(FLOOR UNITS AVAILABLE WITH OR WITHOUT DRAWERS AND WITH OR WITHOUT POST FORMED TOPS)



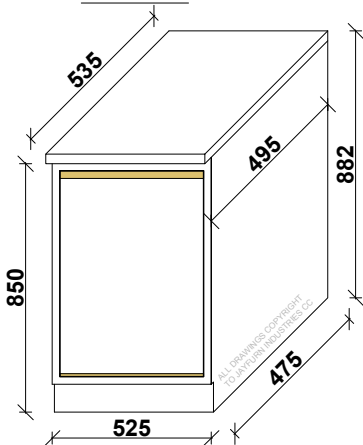
C 300



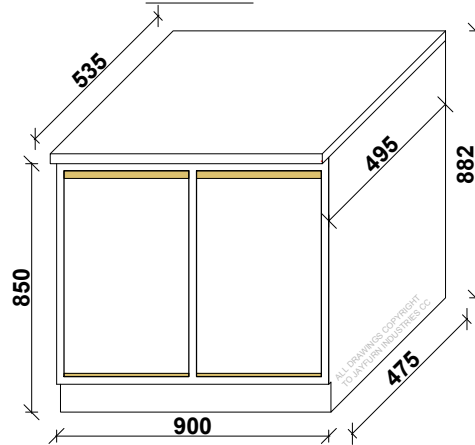
C 450



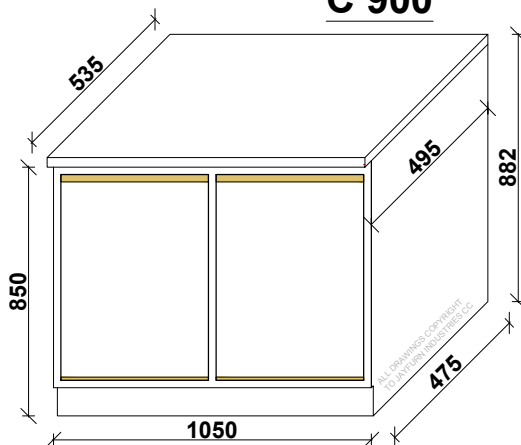
C 450/4



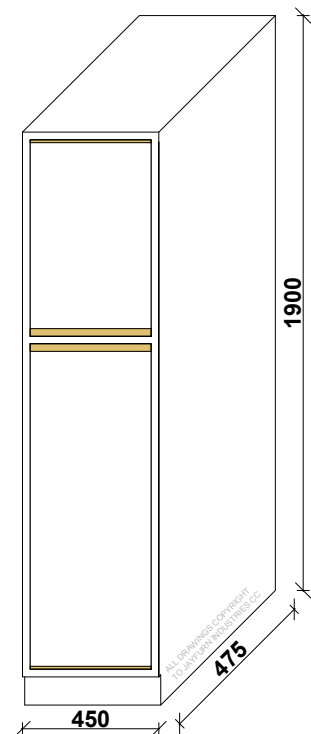
C 525



C 900



C 1050



BROOM OR GROCERY UNIT

- ALL OUR CABINETS ARE STANDARD WITH GRAB HANDLES FOR EASE OF USE AND FITTED WITH HEAVY DUTY STRONG AND STURDY HINGES
- THESE ARE ILLUSTRATIONS ONLY, PLEASE REFER TO PHOTO GALLERY FOR ACTUAL VIEW OF UNITS
- 535mm DIMENSIONS REPRESENTS DEPTH OF UNIT INCLUDING TOP OR SINK
- 882mm DIMENSIONS REPRESENTS HEIGHT OF UNIT INCLUDING TOP OR SINK
- 850mm DIMENSIONS REPRESENTS HEIGHT OF UNIT WITHOUT TOP.
- IN ADDITION TO THE ABOVE, WE MANUFACTURE CUSTOM MADE UNITS TO CLIENTS SPECIFICATIONS.
- ALL DRAWINGS COPYRIGHT TO JAYFURN INDUSTRIES CC